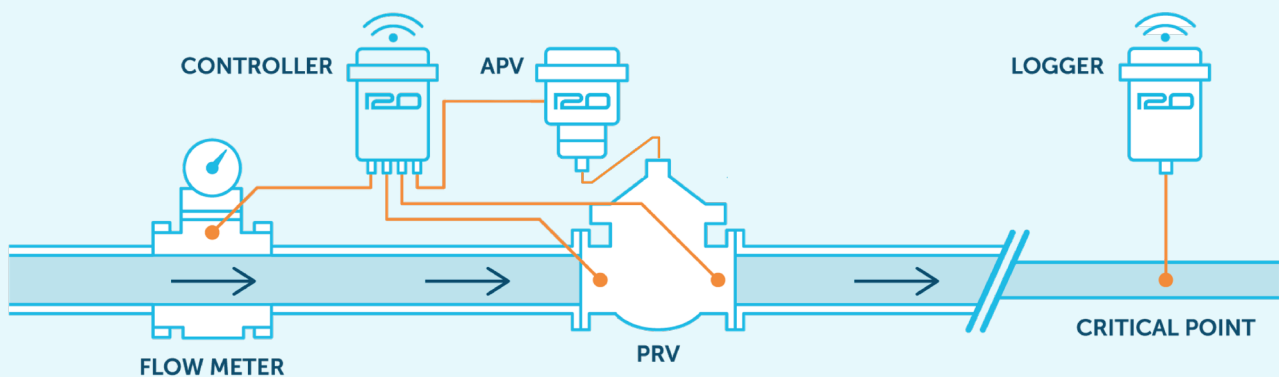


PRV Control

Precise PRV pressure control and optimisation

HOW IT WORKS

PRV control has two components: control logger and advanced pilot valve. It is used to remotely control pressure, or automatically deliver target pressures at a critical point. It operates on all globe type diaphragm actuated pressure reducing valves (PRVs) greater than 50mm.

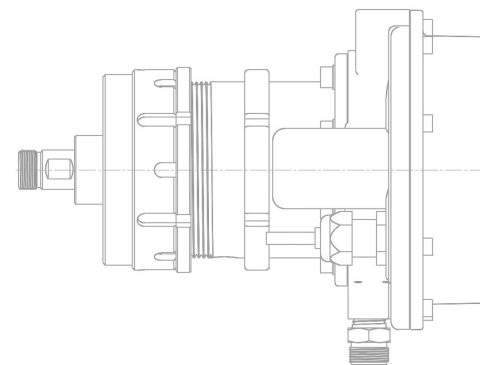


PART OF THE ADVANCED PRESSURE MANAGEMENT SOLUTION

Advanced pressure management enables you to remotely control and automatically optimise pressure across the entire network – at PRVs and pump stations. Because i2O uses a dedicated patent protected pilot valve designed specifically for the purpose, target pressures are achieved accurately and smoothly, without introducing transients.

The benefits of this are:

- Consistent delivery of target pressure for customers
- Reduction in leakage and bursts
- Reduction in operating costs
- Extended asset life for downstream networks
- Reduced energy costs from upstream pumping
- ROI is typically achieved in less than 24 months



MORE INFO

Learn more about our intelligent network solutions!
Visit WWW.I2OWATER.COM

Contact us

T (+44) 02380 111 420
E info@i2owater.com

2 Vancouver Wharf, Hazel Road, Woolston
Southampton, SO19 7BN, United Kingdom

www.i2owater.com



CONTROL LOGGER

CONFIGURATION

DATA SAMPLING INTERVAL	≥ 1s (1 min default)
DATA LOGGING INTERVAL	≥ 1 min (15 min default)
DIAL UP INTERVAL	≥ 5 min (24hr default)
TEMPERATURE/VOLTAGE	Logged (hourly default)
GSM SIGNAL STRENGTH	Logged on GSM connection

INTERFACES

DIGITAL FLOW INPUT

TYPE	Industry standard, digital 2-wire interface plus 3 and 5 wire bi-directional meters
MAX PULSE FREQUENCY	100Hz
MINIMUM PULSE WIDTH	5ms
3 PRESSURE TRANSDUCERS	3 pressures for measuring upstream, downstream and PRV control space (optional)

PHYSICAL INTERFACES

CONFIGURATION PORT	USB connection to PC, Windows tablet or Android phone and tablet
EXPANSION PORT	Connection for external power sources 6V - 30V

OVER-THE-AIR (OTA) INTERFACE

NETWORK	Quad-band 2G and Penta-band 3G
SIM	Field replaceable Automatic configuration Supports roaming SIMs

PHYSICAL INFORMATION

SIZE (mm)	w115 x d115 x h115
WEIGHT (kg)	0.68
ENVIRONMENTAL PERFORMANCE	Designed and tested to IP68 Withstands extreme conditions between -20°C to +60°C and 85% humidity

LOGGING MODES

STANDARD LOGGING	Mean of samples over logging interval
ENHANCED STATISTICS	Instability, pressure transients and surges can be identified from maximum, minimum and standard deviation pressure values captured during the logging interval

ADVANCED PRESSURE VALVE (APV)

CONFIGURATION

Linear pressure/position relationship
Absolute pressure adjustment
Pilot position indicator
Selection of mounting options
Position feedback to control logger
Self-bleed

INTERFACES

HYDRAULIC	Upstream, downstream and control space connections 3/8" BSP (f)
ELECTRICAL	IP68 connector to i2O controller

PHYSICAL INFORMATION

SIZE (mm)	w198 x d149 x h130
WEIGHT (kg)	5
ENVIRONMENTAL PERFORMANCE	IP68 continuously submersible to 4m Operational temperature 1°C to +60°C Stainless steel (316) construction WRAS approved

WHY i2O?

i2O's solutions currently help more than 100 water companies in 45 countries. We monitor and control water supply to more than 50 million people around the world, helping to reduce leakage by up to 47% and burst frequency by up to 65%.

Clients choose i2O, continue to do so, and extend their deployments of our solutions for 6 main reasons:

- Effectiveness
- Support
- Innovation
- Integration
- Security
- Lifetime cost

Contact us

T (+44) 02380 111 420
E info@i2owater.com

2 Vancouver Wharf, Hazel Road, Woolston
Southampton, SO19 7BN, United Kingdom

www.i2owater.com